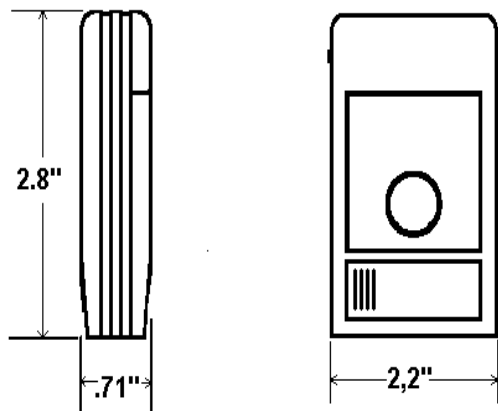


TECHNICAL SPECIFICATIONS

- Ultrasonic frequencies: 40.676 KHz +/- 10Hz
- RISC microprocessor
- Display: OLED (organic led) 16 X 132
- Display informations:
Basic = batt level, hours, RF signal
In alarm: progress of communication (if enable)
- Motor for vibration (tactile feedback)
- magnetic buzzer 85dBm @ 10cm
- Switch: 3
 - 1-Alarm
 - 2-Display ON
 - 3-Multi purpose.
- Programmable fonction:
 - Switch operation delay and duration
 - Supervision interval
 - Alarm detection feedback
 - Alarm received feedback

ELECTRICAL AND PHYSICAL

- Power source : 3,6 V rechargeable lithium battery
- Battery autonomy:
 - full features activates: 5 days
 - basic operation only : 20 days
- Recharge time: 3 to 8 hours.
- Battery life: 5 years typical.
- Operational temperature: 0°C to 65°C
- Material/color: ABS black
- Weight: 6 oz (120 g) with battery and clip
- Sizes (without belt clip):
2.2" X 2.8" X .71"
56mm X 71mm X 18mm



GENERAL DESCRIPTION:

The TS900 transmitter is a light, portable panic button designed to transmit an ultrasonic signal to the RS900. It also includes a bi-directional radio module to communicate directly with the Securalert M900 Master station. A building display gives the user full control over every situation, including positive acknowledgement of events and a real time status of all the functions.



To initiate an alarm, simply depress the main alarm switch for programmable time.

The transmitter comes by default with a clip so that it can be worn at the belt. Optional clip can be ordered.

The transmitter is powered from a rechargeable battery so maintenance is reduced to a minimum.

USE:

Contrary to radio waves, ultrasonic signals are stopped by walls, floors, ceilings, and bounce off them. Therefore a transmitter will only activate the one receiver located in the same room, no matter the size of the room. The use of ultrasound is most recommended when an emergency happens and one quickly needs to find the exact location of the person in distress within a building that has many different closed rooms. The TS900 is commonly used for personnel localization (through the use of the panic button) in hospital psychiatric wards or laboratories.

SUPERVISION AND FEEDBACK:

Operation is controlled by a microprocessor, controlling and supervising operation and the state of the battery. During every activation, different feedbacks can be activated (selected by the user). Feedback can be tactile (vibration) and/or audible (beeper) and/or visual (message on the display).

Battery, sensor operation and radio communication signal are continuously checked and any out of range parameters are reported to the central as well as display on unit itself to keep the user informed.

OPTION:

Many optional features can be activated on the Securalert system with the use of the TS900. The tracking option enables to locate a lost unit. The installation of Forbidden Zone Beacon can remind the user automatically to return a unit (avoiding bringing the unit at home by accident). Also, the unit can act as a pocket pager replacement to avoid the personnel to carry 2 devices (1 panic button and 1 pager). Also, a small additional push button, located on the side can be used for different functions, like a cancel button, a secondary (low level) alarm, a check report, ect.